

PRODUCT CATALOGUE



Quality & Reliability

MANUFACTURER & EXPORTER

TRACTOR PARTS | TROLLY PART | TILLER PARTS | LINKAGE PARTS | ROTAVATOR PARTS

AN ISO 9001: 2015 CERTIFIED COMPANY



for more information contact us : info@ttctrailer.com

FAST FACTS OVERVIEW

*Established
In 1991*

*Best Quality
Products*

*Wholesale as well
as Retail*

*Affordable &
Compitable Rates*

*Discount Offers
on Festivals*

*Best Service
After Purchase*

*Focus on Customer
Satisfaction &
Quality Products*

*One Stop
Machinery House
for All Kinds of
Industrial
Products*

Cooperative

*Area Covered :
More than 22000
Sq. Feet*

OUR COMPANY BRIEF

Processes With Modren Equipment

Incepted in the year 1991, in Ludhiana (Punjab, India), we, "TTC", are the leading name engaged in manufacturing a comprehensive assortment of Trailer Spare Parts, Sheet Metal Components, U Bolts, Trailer Body Parts, etc. Keeping varied requirements of customers, we manufactured these products using optimum quality raw material and sophisticated technology with high precision, to meet the set industry quality standards. Offered range of products is widely appreciated among our prestigious clients for its features such as compact design, dimensional accuracy, reliability, durability and perfect finish.

OUR MANPOWER & INFRASTRUCTURE

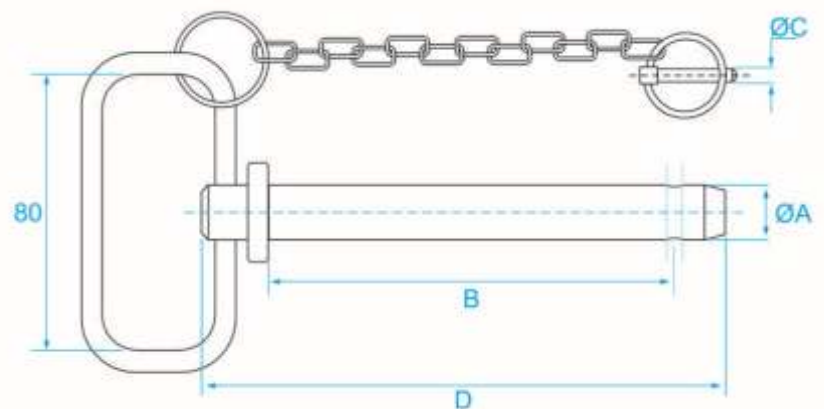
We are blessed to have the team of professionals with us, who are experienced in their respective fields and are instrumental in the success of our organization. Our team comprises of engineers, technocrats, architects, quality analysts, market researchers and sales and management staff. Owing to this experienced team of experts, we are able to offer the best quality products to our valuable clients. Entire departments work together as a team in understanding the varied requirements of clients. With the support of our team, we are able to deliver these products at clients' end within in the scheduled time frame. In order to keep them updated with the pace of time, we conduct various seminars and workshops to keep them ahead of the current market trends.

We have a well-developed infrastructure unit well-equipped with advance machines and (CNC) contemporary technology assists us in manufacturing the best quality products. Our infrastructural facility is divided into a number of departments such as manufacturing, quality control, research & development, warehousing & packaging and sales and marketing, etc., extensively assist us for smooth business operation. In addition, a fully trained team of engineers with quality and assurance department equipped with a complete range of measuring instruments, Jigs, fixtures and gauges make us a complete entity in itself.

HITCH PIN WITH CHAIN & LINCH PIN

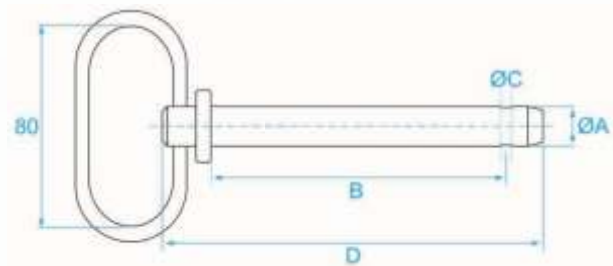


CODE	A	B	C	D
THWLP12093	12.7	92.5	6.5	127
THWLP12111	12.7	111	6.5	146
THWLP16103	15.9	103	6.5	136
THWLP16111	15.9	111	6.5	146
THWLP16165	15.9	165	6.5	200
THWLP19102	19	102	6.5	140
THWLP19110	19	110	6.5	140
THWLP19111	19	111	8.5	148
THWLP19115	19	115	12	153
THWLP19164	19	165	8.5	200
THWLP19165	19	165	6.5	204
THWLP19166	19	165	8.5	204
THWLP22115	22	115	6.5	153
THWLP22128	22	128	6.5	168
THWLP22164	22	165	6.5	200
THWLP22165	22	165	10	204
THWLP25165	25	165	10	204
THWLP25166	25	165	6.5	204
THWLP25189	25	189	12	227
THWLP28100	28	100	12	138
THWLP28120	28	120	10	158
THWLP28156	28	156	12	196
THWLP28165	28	165	6.5	204
THWLP28190	28	190	6.5	228
THWLP28189	28	189	12	228
THWLP30183	30	183	12	220
THWLP32162	32	162	6.5	204
THWLP32189	32	189	12	227
THWLP32165	32	165	10	204
THWLP32191	32	191	6.5	228
THWLP35189	35	189	12	227
THWLP38187	38	187	12	227



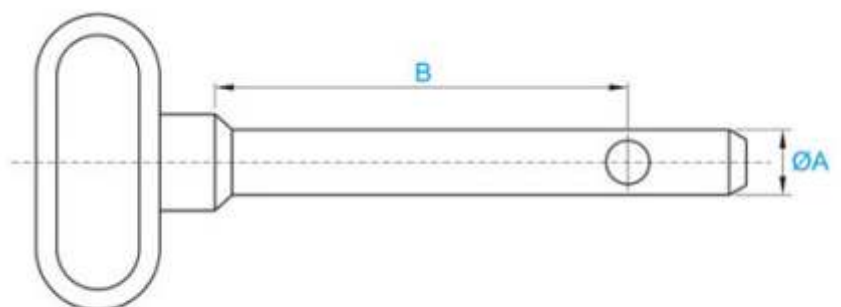
HITCH PIN WITH HAIR PIN

CODE	A	B	C	D
THPWLP12090	12.7	90	4	125
THPWRP12105	12.7	105	3	142
THPWRP12110	12.7	110	4	147
THPWRP16105	15.9	105	4	136
THPWRP16149	15.9	149	3.5	186
THPWRP16162	16	162	4	199
THPWRP19098	19	98	4.5	130
THPWRP19110	19	110	4.5	147
THPWRP19157	19	157	4.5	194
THPWRP19162	19	162	4.5	199
THPWRP22110	22	110	5	147
THPWRP22157	22	157	5	194
THPWRP22162	22	162	5	199
THPWRP25103	25	103	5	140
THPWRP25110	25.4	110	5.5	147
THPWRP25158	25	158	6	194
THPWRP25162	25	162	6	199
THPWRP25181	25	181	6	214
THPWRP25118	25	118	6	155
THPWRP28183	28	183	6	220
THPWRP28162	28.6	162	6.5	199
THPWRP32162	32	162	7	199



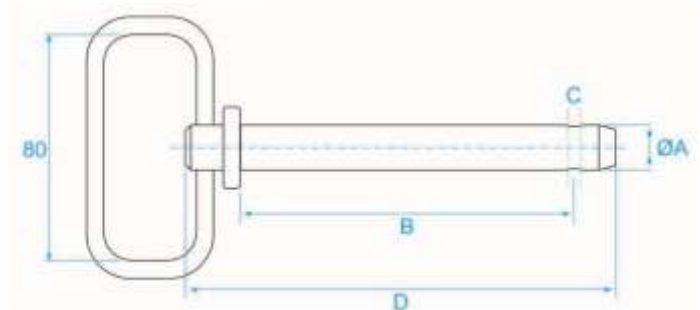
RED HANDLE HITCH PIN

CODE	A	B
TRHHP12095	12.7	95
TRHHP16105	15.8	105
TRHHP16143	15.8	143
TRHHP19105	19	105
TRHHP19165	19	165
TRHHP22105	22	105
TRHHP22165	22.4	165
TRHHP25118	25.4	115
TRHHP25133	25.4	133
TRHHP25203	25.4	203
TRHHP28220	28.5	220
TRHHP32220	31.75	220
TRHHP38220	38.1	220



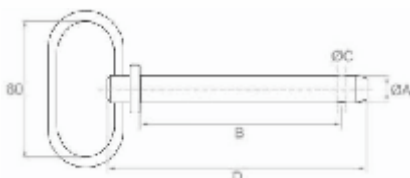
HITCH PIN

CODE	A	B	C	D
THP12089	12.7	89	4	127
THP12102	12.7	102	4	136
THP12108	12.7	108	5	144
THP12114	12.7	114	5	150
THP16089	15.9	89	5	127
THP16102	15.9	102	5	136
THP16108	15.9	108	5	144
THP16114	15.9	114	5	150
THP16127	15.9	127	6	165
THP16152	19	152	6	192
THP19102	19	102	8	136
THP19108	19	108	8	144
THP19114	19	114	8	150
THP19127	19	127	8	165
THP19140	19	140	8	178
THP19152	19	152	8	190
THP19158	22	158	8	196
THP22108	22	108	10	144
THP22114	22	114	10	150
THP22127	22	127	10	165
THP22152	22	152	10	190
THP22158	22	158	10	198
THP22165	22	165	10	204
THP25108	25.4	108	10	144
THP25114	25.4	114	10	150
THP25152	25.4	152	10	190
THP25158	25.4	158	10	204
THP25165	25.4	165	10	228
THP25190	25.4	190	10	150
THP28114	28	114	12	228
THP28152	28	152	12	227
THP28158	28	158	12	227
THP28165	28	165	12	227
THP28190	28	190	12	227
THP32152	32	152	12	227
THP32158	32	158	12	227
THP32165	32	165	12	227
THP32190	32	190	12	227
THP35190	35	190	12	227
THP38190	38	190	12	227



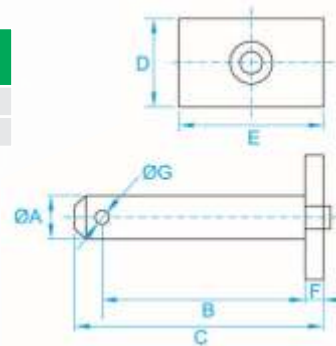
ORANGE HITCH PIN WITH HAIR PIN

CODE	A	B	C	D
TOHP16155	16	155	4	192
TOHP19104	19	104	5	141
TOHP19162	19	162	5	199
TOHP22168	22	168	5	205
TOHP25175	25.4	175	6	212



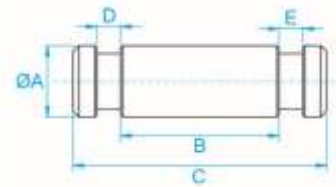
SQUARE HEAD PINS

CODE	A	B	C	D	E	F	G
TTHP19088	19	88	109	40	65	8	6
TTHP24088	24	88	109	40	65	8	6



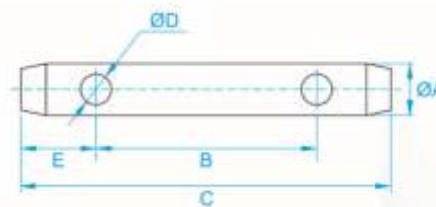
CYLINDER PINS

CODE	A	B	C	D	E
TCLP18052	18	52	70	6	6
TCLP18072	18	72	90	6	6
TCLP18082	18	82	100	6	6
TCLP20058	20	58	76	6	6
TCLP22052	22	52	70	6	6
TCLP24091	24	91	109	6	6
TCLP26057	26	57	76	6	6
TCLP28091	28	51	109	6	6



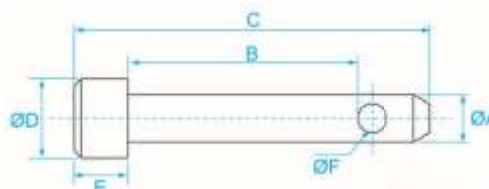
TOP LINK PIN WITHOUT HEAD

CODE	A	B	C	D	E
TTLPOH19140	19	96	140	12	22
TTLPOH19170	19	126	170	12	22
TTLPOH19207	19	163	207	12	22
TTLPOH19254	19	210	254	12	22
TTLPOH25164	25	120	164	12	22



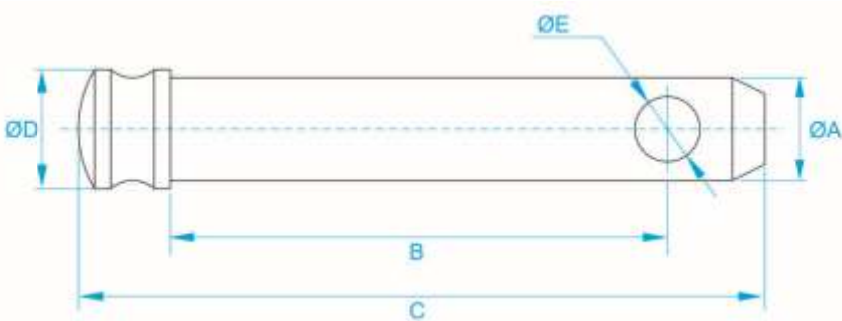
SPECIAL TOP LINK PINS

CODE	A	B	C	D	E	F
TTLP12057T	12	57	70	18	4	5
TTLP16081T	16	81	98	24	4.5	6.5
TTLP16059T	16	59	76	24	7	6.5
TTLP19060T	19	60	82	27	7	6.5
TTLP19093T	19	93	112	27	6	6.5
TTLP22120T	22	120	151	37	15	8.5
TTLP22135T	22	135	170	37	15	8.5
TTLP25120T	25	120	158	40	15	8.5
TTLP25175T	25	175	214	40	15	8.5
TTLP28155T	28	155	193	45	15	10.5
TTLP19080T	19	80	120	25	15	11.5
TTLP22060T	22	60	95	28	15	11.5
TTLP25085T	25	85	125	32	15	11.5
TTLP28060T	28	60	95	34	15	11.5



TOP LINK PIN

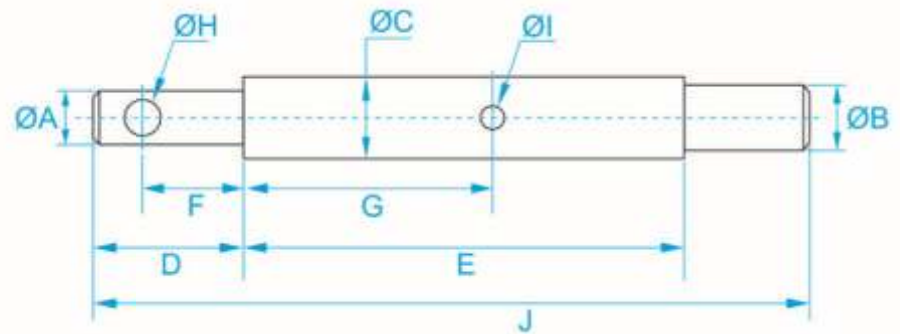
CODE	A	B	C	D	E
TTLP16076	15.9	76	113	19	7
TTLP16082	15.9	82	112	19	7
TTLP19052	19	52	90	22	12
TTLP19057	19	57	90	22	12
TTLP19076	19	76	112	22	12
TTLP19092	19	92	127	22	12
TTLP19095	19	95	133	28	12
TTLP19105	19	105	135	28	10
TTLP19125	19	125	155	28	10
TTLP19145	19	145	175	28	10
TTLP22076	22	76	114	25	12
TTLP22094	22	94	132	25.4	12
TTLP22105	22	105	136	34	12
TTLP22110	22	110	140	25	12
TTLP22125	22	125	158	30	11
TTLP22145	22	145	178	30	11
TTLP25076	25	76	115	28	12
TTLP25085	25	85	124	32	11
TTLP25095	25	95	132	28	12
TTLP25125	25	125	156	32	11
TTLP25086	25.4	86	123	28	12
TTLP25110	25.4	110	148	28	12
TTLP25116	25.4	116	154	28	12
TTLP25142	25.4	142	180	28	12
TTLP28103	28	103	145	32	12
TTLP28125	28	125	156	34	12
TTLP28145	28	145	178	34	12
TTLP28159	28.6	159	197	32	12
TTLP31118	31.7	118	160	38	12
TTLP32105	32	105	145	42	12
TTLP32125	32	125	164	38	12
TTLP32136	32	136	175	38	12



INTER CHANGEABLE IMPLEMENT MOUNTING PIN



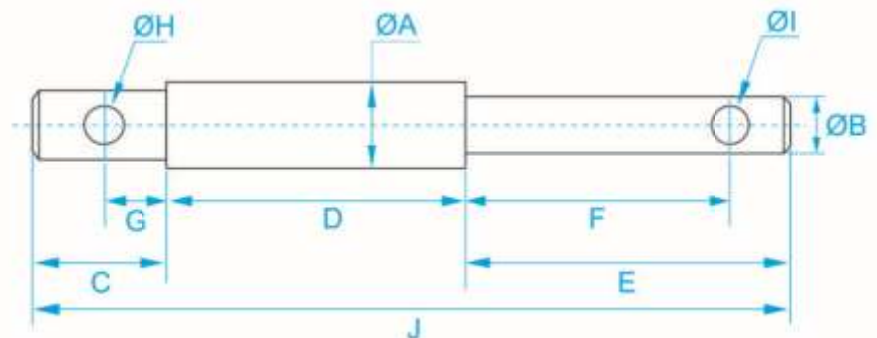
CODE	A	B	C	D	E	F	G	H	I	J
TICIMP20200	22	22	28	55	115	40	67	12	6.5	200
TICIMP25200	25	22	28	55	115	40	67	12	6.5	200



DOUBLE IMPLEMENT MOUNTING PIN



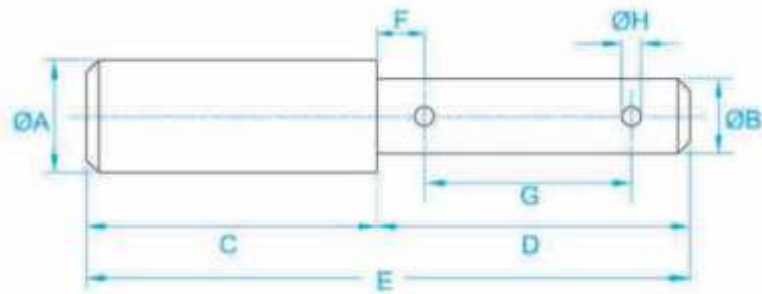
CODE	A	B	C	D	E	F	G	H	I	J
TDMP25210	25	19	40	70	100	80	20	12	12	210
TDMP25212	25	19	38	96	78	62	22	12	12	212
TDMP25170	25	19	26	66	78	70	18	6.5	6.5	170
TDMP28200	28	22	35	75	90	75	20	12	12	200
TDMP28210	28	22	40	70	100	80	20	12	12	210
TDMP25230	28	22	40	90	100	80	20	12	12	230
TDMP28229	28.6	22.2	40	89	100	80	20	12	12	229
TDMP32250	32	25	40	115	95	81	26	12	12	250
TDMP36277	36.5	28	36	150	91	81	26	12	12	277
TDMP36290	36.5	28	45	150	95	80	28	12	12	290



IMPLEMENT PIN



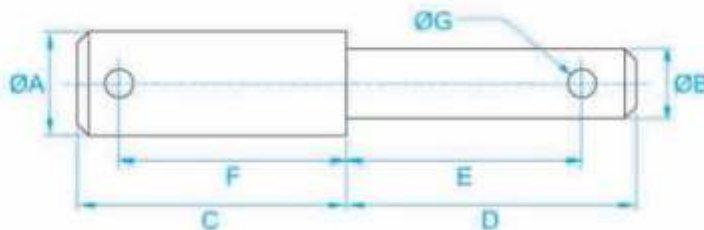
CODE	A	B	C	D	E	F	G	H
TIP19156	19	16	74	82	156	16.5	55	5
TIP22168	22	16	80	88	168	12	68	5
TIP25166	25	19	85	81	166	18	53	5
TIP25160	25	19	80	80	160	18	53	5
TIP25180	25	19	90	90	180	18	57	5
TIP28180	28	22	90	90	180	18	57	5
TIP28175	28	22	90	85	175	16.5	50	6
TIP28180	28	22	90	90	180	16.5	61	6
TIP32178	32	25	83	95	178	18	62	6.5
TIP32172	32	25	80	92	172	22	55	6.5



WELD ON END MOUNTING PIN

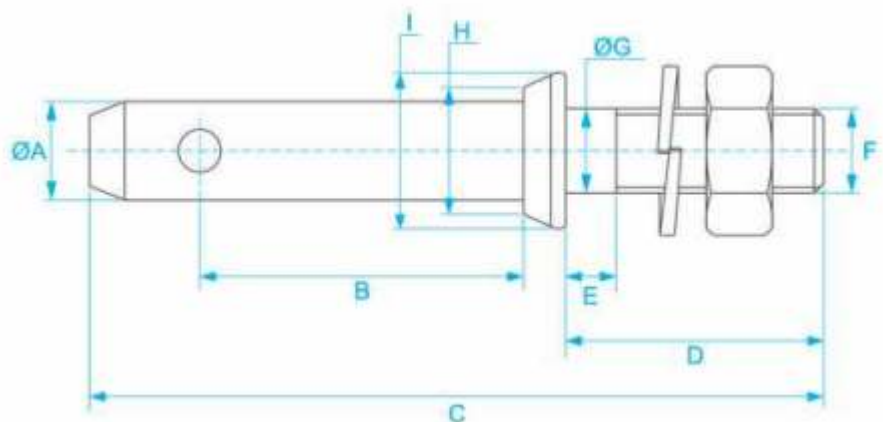


CODE	A	B	C	D	E	F	G
TWOMP0	28	22	62.5	84.5	70.5	47	12
TWOMP1	28	22	76.5	104.5	88	60	12
TWOMP2	28	22	85	105	85	62	12
TWOMP3	28	22	103	78	60	87.3	12
TWOMP4	28	22	120	56	39	92	12
TWOMP5	28.6	22	76	105	97.3	60	12
TWOMP6	34	28	61	80	62	43.5	12



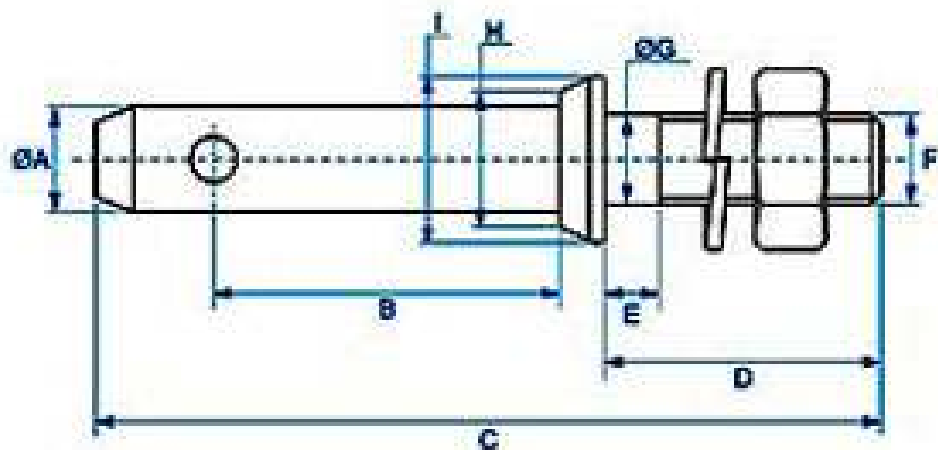
LOWER LINK PIN

CODE	A	B	C	D	E	F	G	H	I
TLLP2201M	22	50	130	40	5	20x1.5	20	32	38
TLLP2202M	22	50	140	40	14	22x1.5	22	30	38
TLLP2203M	22	50	140	40	14	22x1.5	28	30	38
TLLP2204U	22	51	149	54	11	7/8" UNF	22	30	36
TLLP2205U	22	51	140	48	6	3/4" UNF	19	30	36
TLLP2206U	22	51	140	43	11	5/8" UNF	22	30	36
TLLP2207U	22	51	146	38	22	7/8" UNF	28.6	30	36
TLLP2208U	22	51	146	50.8	9.5	7/8" UNC	28.6	32	38
TLLP2209U	22	51	146	50.8	9.5	1" UNF	25.4	30	36
TLLP2210U	22	51	138	38	14	7/8" UNF	28.6	30	36
TLLP2211M	22	51	138	38	10	20x1.5	20	30	36
TLLP2212M	22	51	128	38	10	20x1.5	20	30	36
TLLP2213M	22	60	150	40	20	22x1.5	22	32	38
TLLP2214M	22	60	150	40	20	22x1.5	28	32	38
TLLP2215M	22	60	146	40	20	22x1.5	25	32	32
TLLP2216U	22	51	140	45	10	7/8" UNF	22	30	34
TLLP2217U	22	64	165	56	16	7/8" UNF	22.5	32	38
TLLP2518M	25	60	150	40	20	22x1.5	25	34	40
TLLP2519M	25	60	150	40	20	22x1.5	28	32	38
TLLP2820M	28	50	155	30	50	30x2.0	30	48	50
TLLP2821M	28	55	150	45	14	22x1.5	24	36	42
TLLP2822M	28	55	150	45	15	24x1.5	24	37	43
TLLP2823M	28	55	150	45	14	27x1.5	28	38	43



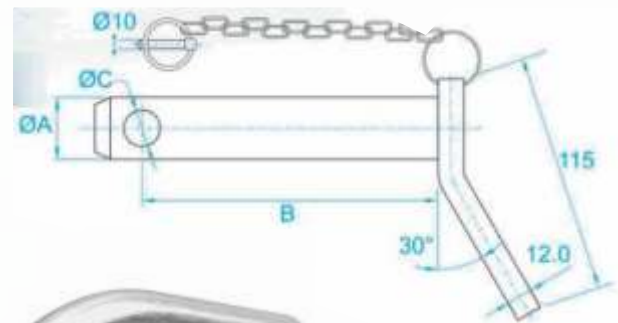
LOWER LINK PIN

CODE	A	B	C	D	E	F	G	H	I
TLLP2824M	28	58	147	48	10	27x1.5	27	37	43
TLLP2825M	28	58	147	48	10	27x1.5	27	48	50
TLLP2826M	28	60	150	45	14	22x1.5	22	38	44
TLLP2827M	28	60	150	40	20	22x1.5	28	38	44
TLLP2828M	28	60	150	40	20	22x1.5	22	38	44
TLLP2829M	28	60	150	40	20	22x1.5	24	38	44
TLLP2830M	28	62	147	38	20	22x1.5	28	48	50
TLLP2831M	28	64	160	38	25	27x1.5	28	38	44
TLLP2832M	28	65	160	30	40	30x2	30	48	50
TLLP2833M	28	71	160	40	30	30x2	30	48	50
TLLP2834U	28.6	51	133.5	42	11	7/8" UNF	22	37	43
TLLP2835U	28	51	159	60	16	9/8" UNF	28.6	38	44
TLLP2836U	28.6	51	149	36.5	24	3/4" UNF	25.4	38	44
TLLP2837U	28.6	57	159	60	16	9/8" UNF	28.6	37	43
TLLP2838U	28.6	60	149	51	9.5	9/8" UNF	28.6	37	43
TLLP2839U	28.6	60	149	50.8	9.5	1" UNF	25.4	38	44
TLLP2840U	28.6	60	149	54	6.3	3/4" UNF	19	38	44
TLLP2841U	28.6	60	149	38	22	7/8" UNF	28.6	38	44
TLLP2842U	28.6	60	136.5	35	12.7	7/8" UNF	202	38	44
TLLP2843U	28.6	60	145	44	12.7	7/8" UNF	22	38	44
TLLP2844U	28.6	63.15	160	54	14	7/8" UNF	22.2	38	44
TLLP3645U	36	54	149	48	16	9/8" UNF	28.6	46	52
TLLP3646U	36.5	58	149	45	14	1.3/8" UNF	35	45	52
TLLP3647M	36.5	61	165	60	11	27x1.5	27	48	50



BEND HANDLE HITCH PIN

CODE	A	B	C
TBHHP19123	19	123	12
TBHHP19135	19	135	12
TBHHP19175	19	175	12
TBHHP22123	22	123	12
TBHHP22135	22	135	12
TBHHP22175	22	175	12
TBHHP25123	25	123	12
TBHHP25135	25	135	12
TBHHP25175	25	175	12
TBHHP28135	28	135	12
TBHHP28175	28	175	12
TBHHP28123	28	123	12
TBHHP32175	32	175	12



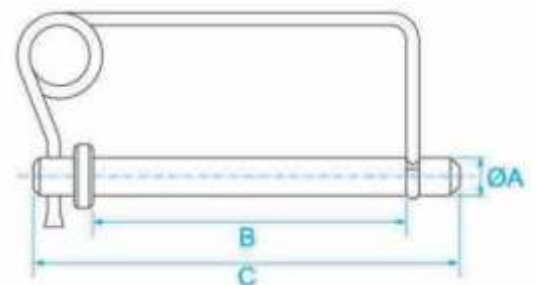
BEND TYPE HITCH PIN

CODE	A	B	C	D
TBHP12076	12.7	76	4	85
TBHP16076	15.9	76	5	88
TBHP16089	15.9	89	5	102
TBHP19089	19	89	5	102
TBHP19099	19	99	5	111



WIRE LOCK HITCH PIN

CODE	A	B	C
TWLHP12102	12	102	140
TWLHP16102	16	102	140
TWLHP19102	19	102	140
TWLHP19152	19	152	190
TWLHP22152	22	152	190
TWLHP25152	25	152	190



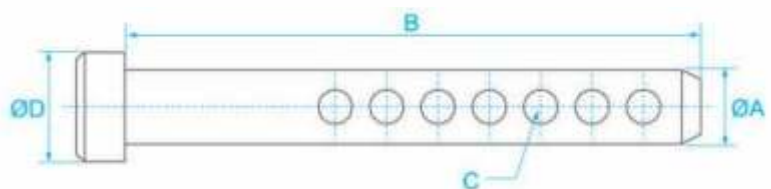
STANDARD CLEVIS PINS

CODE	A	B	C	D
TTCP4516	4.5	16	2.5	9
TTCP6020	6	20	2.5	10
TTCP6025	6	25	2.5	10
TTCP8019	8	19	3	12
TTCP8024	8	24	3	12
TTCP8028	8	28	3	12
TTCP8032	8	32	3	12
TTCP8038	8	38	3	12
TTCP8045	8	45	3	12
TTCP1025	10	25	4	12
TTCP1032	10	32	4	14
TTCP1045	10	45	4	14
TTCP1132	11	32	4	15
TTCP1145	11	45	4	15
TTCP1238	12	38	4	16
TTCP1250	12	50	4	16



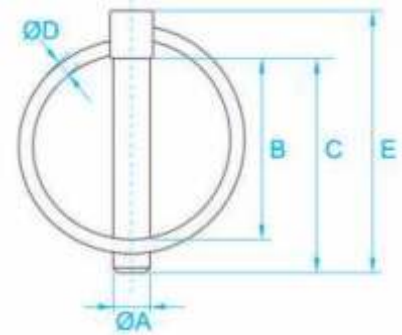
UNIVERTAL CLEVIS PINS

CODE	A	B	C	D	No. of HoleT
TUCP6050	6	50	2.5	9	5
TUCP8050	8	50	3	12	5
TUCP1050	10	50	4	14	5
TUCP1150	11	50	4	15	5
TUCP1163	11	63	4	15	5
TUCP1176	11	76	4	15	7
TUCP1250	12	50	4	16	5
TUCP1263	12	63	4	16	7
TUCP1276	12	76	4	16	7
TUCP1676	16	76	5	20	7
TUCP1976	19	76	6	24	7



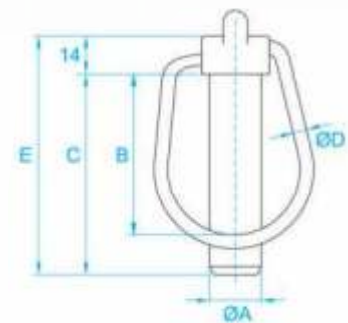
LINCH PINS

CODE	A	B	C	D	E
TLP45035	4.5	28.6	35	44	3
TLP45041	4.5	33	41	51	3
TLP47035	4.76	28.6	35	44	3
TLP60045	6	36.5	45	54	3.2
TLP60045HD	6	36.5	45	54	3.7 Black
TLP63045	6.35	36.5	45	54	3.2
TLP70045	7	36.5	45	55	3.3
TLP80045	8	36.5	45	54	3.3
TLP80045HD	8	36.5	45	54	3.7 Black
TLP90045	9	36.5	45	56	3.3
TLP95051	9.5	39	51	62	3.3
TLP10045	10	36.5	45	56	3.5
TLP11045	11	36.5	45	56	3.5
TLP11051HD	11	39	51	66	4.5 Black
TLP11051	11	39	51	62	3.5



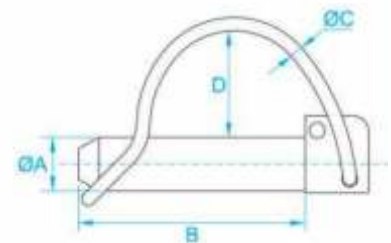
FORGRD LINCH PINS

CODE	A	B	C	D	E
TFLP22	11	48	52	4	66
TFLP15	15	56	60	4	74



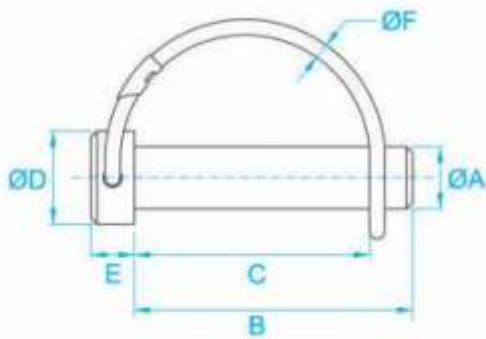
LINCH PINS FOR TUBE(SQUARE HEAD)

CODE	A	B	C	D
TLPFT0640	6	40	3	18
TLPFT0645	6	45	3	22
TLPFT0840	8	40	3	18
TLPFT0845	8	45	3	22
TLPFT0850	8	50	3	25
TLPFT1050	10	50	4	25
TLPFT1058	10	58	4	25
TLPFT1258	12	58	4	25



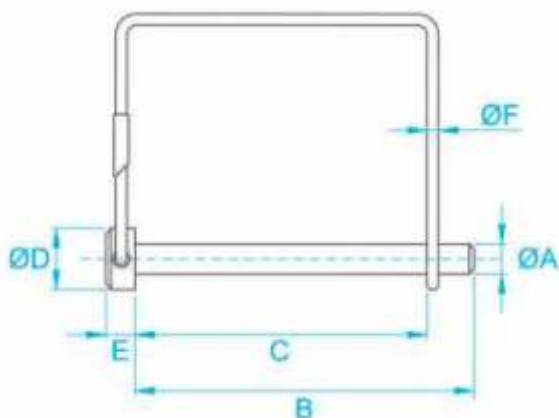
PTO PINS ROUND

CODE	A	B	C	D	E	F
TPPR0638	6	45	38	12	6	2.5
TPPR0658	6	65	58	12	6	2.5
TPPR0838	8	45	38	15	7	2.5
TPPR0858	8	65	58	15	7	2.5
TPPR1038	10	45	38	18	8	2.5
TPPR1058	10	65	58	18	8	2.5



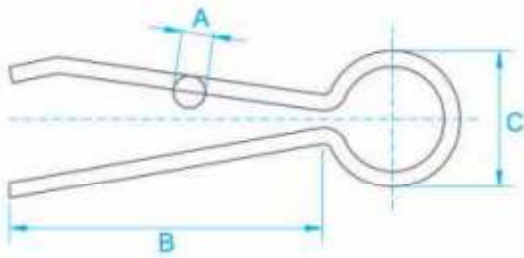
PTO PINS SQUARE

CODE	A	B	C	D	E	F
TPPT0645	6	53	45	12	6	2.5
TPPT0647	6	65	57	12	6	2.5
TPPT0857	8	65	57	15	7	2.5
TPPT0863	8	70	63	15	7	2.5
TPPT1057	10	65	57	18	8	2.5
TPPT1063	10	70	63	18	8	2.5
TPPT1070	10	80	70	18	10	2.5



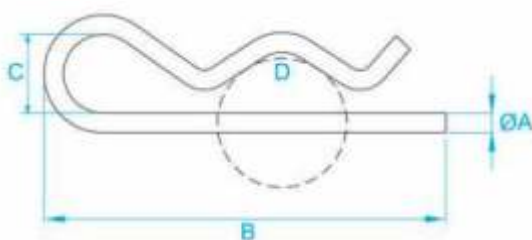
CLIP

CODE	A	B	C
TDTC315	3x1.5	38	17
TDTC325	2x2.5	56	27



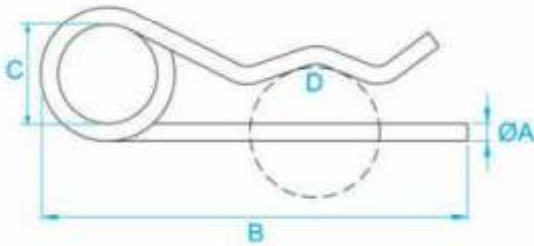
HAIR PIN / GRIP CLIP, SINGLE SPIRE

CODE	A	B	C	D
TRPT20044	2	44	13	10-12
TRPT20051	2	51	13	10-12
TRPT20057	2	57	17	10-12
TRPT25046	2.5	46	13	11-13
TRPT25062	2.5	62	13	11-13
TRPT30052	3	52	18	12-16
TRPT30061	3	61	18	12-16
TRPT35067	3.5	67	18	15-21
TRPT35080	3.5	80	18	15-21
TRPT40076	4	76	18	16-30
TRPT40083	4	83	18	16-30
TRPT40090	4	90	18	16-30
TRPT45083	4.5	83	20	16-30
TRPT45093	4.5	93	20	20-30
TRPT50100	5	100	24	20-35
TRPT50108	5	108	30	20-35
TRPT60114	6	114	24	28-45
TRPT60115	6	120	30	28-45
TRPT60120	6	115	42	28-45
TRPT70105	7	105	42	30-42
TRPT70163	7	163	45	30-45
TRPT80156	8	156	52	30-45
TRPT80162	8	162	45	45-60
TRPT10158	10	158	42	30-45



HAIR PIN / GRIP CLIP, DOUBLE SPIRE

CODE	A	B	C	D
TRPD02065	2	65	13	10-12
TRPD03071	3	71	18	12-16
TRPD04077	4	77	22	16-30
TRPD04093	4	93	22	17-24
TRPD05116	5	116	26	17-28
TRPD06143	6	143	30	32-48
TRPD07162	7	162	30	30-45



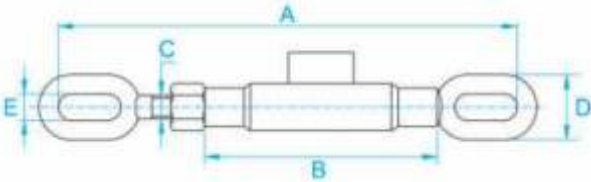
SPLIT PINS

CODE	A	B	C
TCP1620	1.6	20	28
TCP1625	1.6	25	33
TCP2020	2	20	28
TCP2025	2	25	33
TCP2028	2	28	35
TCP2032	2	32	40
TCP2040	2	40	50
TCP2520	2.5	20	28
TCP2540	2.5	40	50
TCP3225	3.2	25	35
TCP3240	3.2	40	50
TCP4025	4	25	35
TCP4032	4	32	45
TCP4036	4	36	48
TCP5050	5	50	63
TCP5070	5	70	85
TCP6350	6.3	50	64
TCP6370	6.3	70	85
TCP6380	6.3	80	98
TCP8063	8	63	87
TCP8080	8	80	104
TCP80100	8	100	124
TCP80125	8	125	150
TCP1063	10	63	91
TCP10125	10	125	153
TCP13125	15	125	160
TCP13140	13	140	175



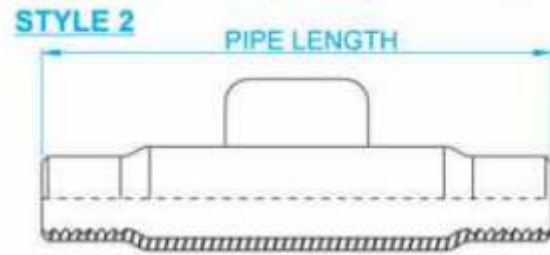
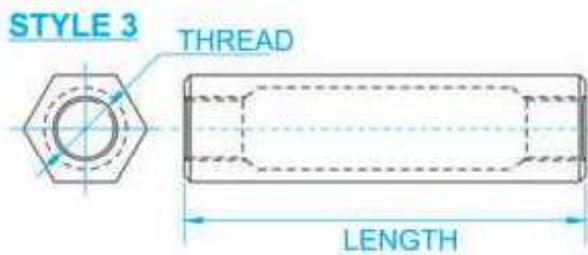
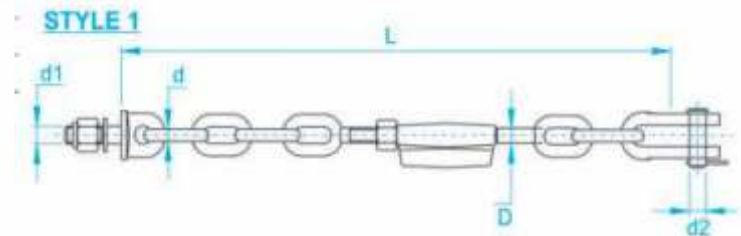
STABILIZER ASSEMBLY

CODE	A		B	C	D	E
	MIN	MAX				
TTA275	275	325	130	20x2.5	38	14
TTA280	280	345	150	22x2.5	38	14
TTA300	300	365	150	24x2.5	55	25



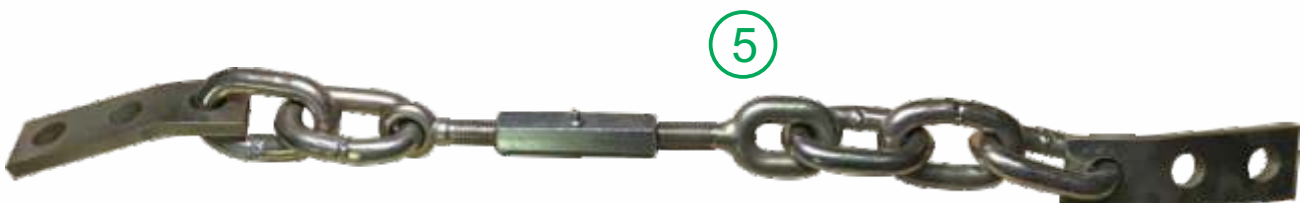
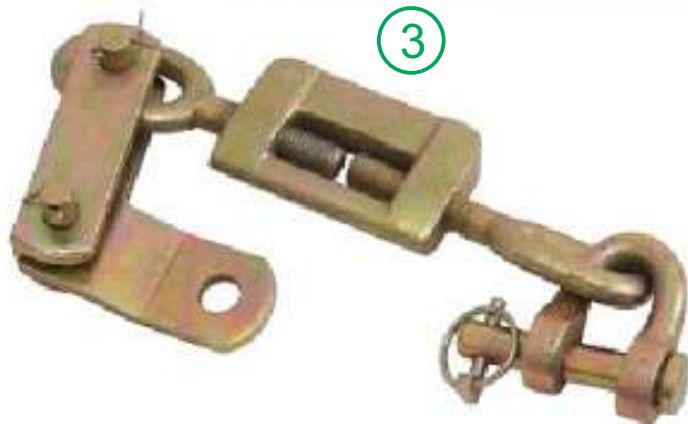
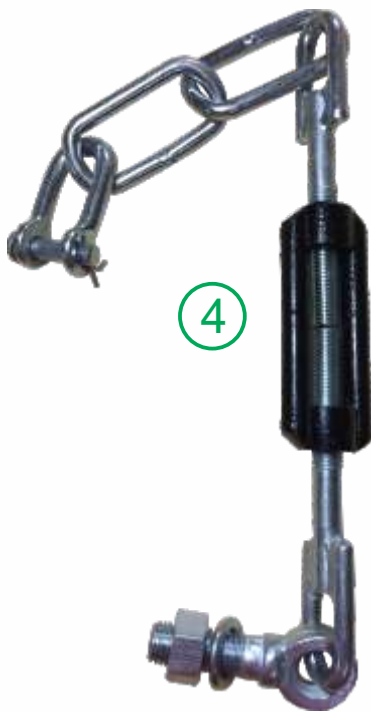
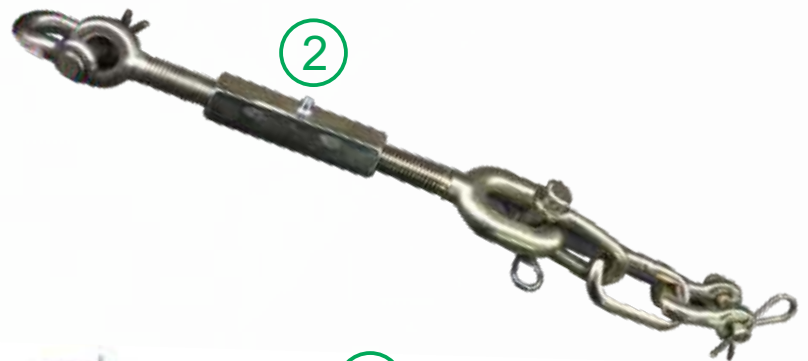
STABILIZER CHAIN ASSEMBLY

CODE	TTYPE	L MAX	D	d1	d	d2
TCA1420	1	420	16x2	18	12	12
TCA1500	1	500	16x2	18	12	12
TCA1580	1	580	16x2	18	12	12
TCA2480	2	480	16x2	18	10	14
TCA2570	2	570	20x2.5	20	12	14
TCA2635	2	635	16x2	20	12	14
TCA2670	2	670	20x2.5	20	12	14
TCA2580	2	580	20x2.5	20	12	14
TCA2460	2	460	20x2.5	20	12	14
TCA3570	3	570	20x2.5	20	12	14
TCA3600	3	600	20x2.5	20	12	14



ALL TYPE STABILIZER CHAIN ASSEMBLY

CODE	STYLE
TTCSCA-01	1
TTCSCA-02	2
TTCSCA-03	3
TTCSCA-04	4
TTCSCA-05	5
TTCSCA-06	6
TTCSCA-07	7
TTCSCA-08	8
TTCSCA-09	9
TTCSCA-10	10
TTCSCA-11	11

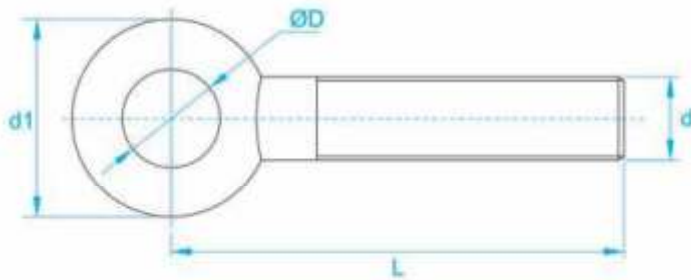


STABILIZER CHAIN



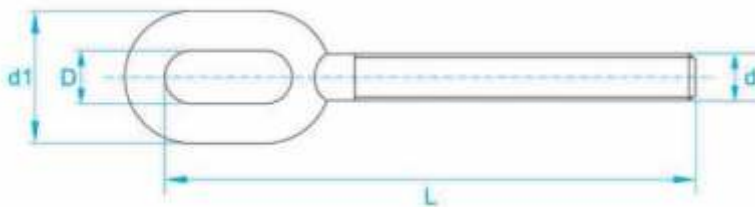
STABILIZER ENDS

CODE	L	d	d1	D
TTE01	97	16x2	46	18
TTE02	115	20x2.5	46	18
TTE03	115	22x2.5	50	20



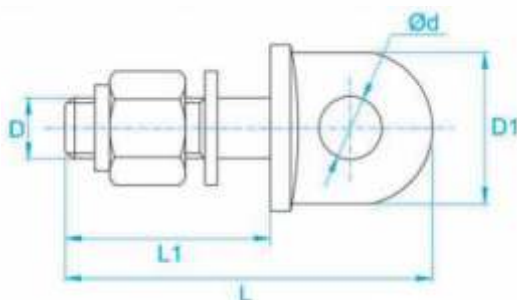
STABILIZER ENDS

CODE	L	d	d1	D
TTE04	112	18x2.5	39	14.5
TTE05	127	20x2.5	39	14.5
TTE06	134	22x2.5	45	2.5



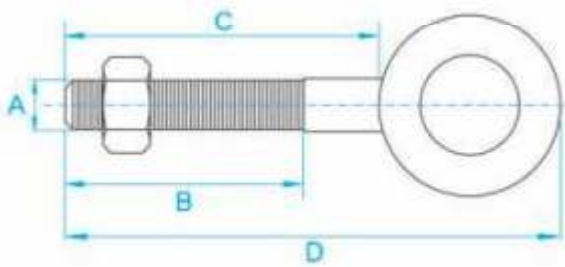
EYE ENDS

CODE	D	L	Ød	D1	L1
TEE16	16x1.5	80	15	36	43
TEE18	18x2.5	80	15	36	43
TEE20	20x2.5	100	18	45	56
TEE24	24x2	125	24	53	65



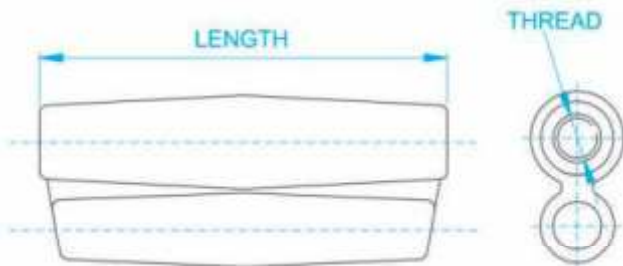
EYE ENDS

CODE	A	B	C	D	E
TEE101	1/4"	1-1/2"	2"	3"	1/2"
TEE102	1/4"	1-1/2"	2-1/4"	3-1/2"	5/8"
TEE103	5/16"	1-1/2"	2-1/2"	4"	3/4"
TEE104	3/8"	1-1/2"	3-1/4"	5-1/4"	1"
TEE105	1/2"	1-3/4"	4"	6-1/2"	1-1/4"
TEE106	6/8"	2-1/2"	4"	5"	1/2"
TEE107	5/16"	2-1/2"	4-1/4"	5-1/2"	5/8"
TEE108	3/8"	2-1/2"	6"	7-1/2"	3/4"
TEE109	1/2"	3"	6"	7-3/4"	1"



TURN BUCKLE

CODE	THREAD	PIPE LENGTH
TEE101	M16 x 2	M16 x 2



CLEVIS YOKE



DRAW BAR (63x30)

CODE	H	G	HOLET	A	B	C	D	E	F
TDB08	63	30	7	1003	60	181	80	28.5	25.4
TDB09	63	30	7	683	49	181	80	28.5	25.4
TDB10	63	30	9	758	49	181	80	28.5	25.4
TDB11	63	30	9	781	60	181	80	28.5	25.4
TDB12	63	30	7	962	60	181	80	28.5	25.4
TDB13	63	30	9	796	57.5	181	80	28.5	25.4
TDB14	63	30	9	800	70	181	80	28.5	25.4
TDB15	63	30	11	766	60	181	80	28.5	25.4
TDB16	63	30	11	945	60	181	80	28.5	25.4
TDB17	63	30	9	800	58	181	80	28.5	25.4
TDB18	63	30	9	800	126	181	80	28.5	25.4
TDB19	63	30	11	765	52	181	80	28.5	25.4
TDB20	63	30	11	781	60	181	80	28.5	25.4
TDB21	63	30	9	770	55	181	80	28.5	25.4
TDB22	63	30	9	770	55	181	80	28.5	25.4
TDB23	63	30	3	440	55	181	80	28.5	25.4
TDB24	63	30	11	766	53	181	80	28.5	25.4
TDB25	63	30	11	780	60	181	80	28.5	25.4
TDB26	63	30	3	440	57	181	80	28.5	25.4
TDB27	63	30	9	800	70	181	80	28.5	25.4
TDB28	63	30	11	810	60	181	80	28.5	25.4
TDB29	63	30	9	620	50	181	80	28.5	25.4

DRAW BAR (63x25)

CODE	H	G	HOLET	A	B	C	D	E	F
TDB00	63	25	7	505	51	66.5	45	22	20
TDB01	63	25	7	770	50	105	76.66	22	22
TDB02	63	25	7	610	51	84.5	57	22	19
TDB03	63	25	7	610	51	84.5	57	22	22
TDB04	63	25	11	775	57	75	51	22	19
TDB05	63	25	11	775	57	75	51	22	22
TDB06	63	25	9	775	57	114	54	22	19
TDB07	63	25	11	766	53	60	54	22	20

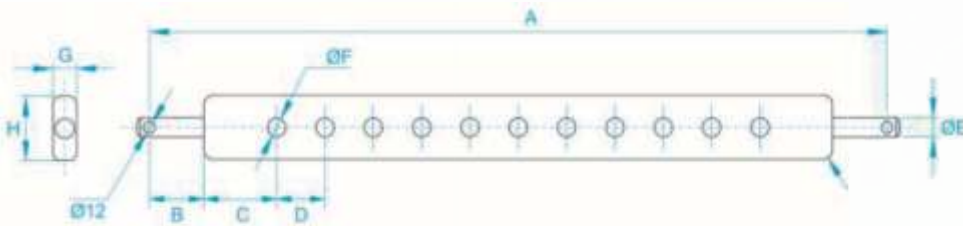
DRAW BAR (80x40)

CODE	H	G	HOLET	A	B	C	D	E	F
TDB30	80	40	7	930	55	110	100	28	28
TDB31	80	40	3	770	56	165	166	28	26.5
TDB32	80	40	7	861	60.3	122	83	28	26.5
TDB33	80	40	7	1085	60	151	110	36	32
TDB34	80	40	7	940	60	121	83	28.4	26



DRAW BAR (70x30)

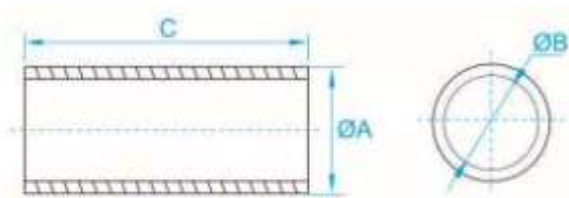
CODE	H	G	HOLET	A	B	C	D	E	F
TDB35	70	30	1	770	54.8	329	N.A.	27.8	26
TDB36	70	30	3	772	54.8	163	165.2	27.8	26
TDB37	70	30	3	674	55	139.5	140	28	22.7
TDB38	70	30	3	900	55	197.5	197.5	28.4	28.5
TDB39	70	30	3	960	55	212.5	212.5	28.4	28.5
TDB40	70	30	11	960	55	155	155	28	26



DRAW BAR (70x30)

CODE	H	G	HOLET	A	B	C	D	E	F
TDB41	76	32	11	780	60	75	51	28	19
TDB42	76	32	11	780	60	75	51	28	22
TDB43	76	32	13	940	60	76	55.5	28	19
TDB44	76	32	13	940	60	76	55.5	28	22
TDB45	76	32	7	880	50	100	96	28	28
TDB46	76	32	9	920	50	90	80	28	33
TDB47	76	32	7	930	55	85	108.5	28	26
TDB48	76	32	9	945	60	92.5	80	28	33
TDB49	76	32	11	933	55	157	50.8	28	22
TDB50	76	32	7	960	59	103.5	71.5	28	26.5
TDB51	76	32	7	861	60.5	123.5	82.2	28.4	27
TDB52	76	32	13	933	60	76.4	55	28.6	19
TDB53	76	32	7	890	55	124	88.6	28	28
TDB54	76	32	3	772	55.5	165	166	22.6	26.5
TDB55	76	32	7	940	60	148	86	28.4	28.5
TDB56	76	32	7	910	50	85	110	28	26
TDB57	76	32	9	930	60	86	80	28	28
TDB58	76	32	9	945	60	92.5	80	28	33
TDB59	76	32	11	960	62	143	55	28	28
TDB60	76	32	7	981	60	151	86	28.4	28.5



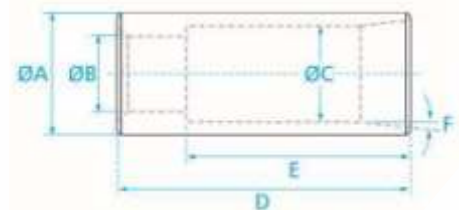


REPLACEMENT BUSHES

CODE	ØA mm	ØB mm	ØC mm
TRB191641	19	16	41
TRB221635	22	16	35
TRB251941	25.4	19	41
TRB251951	25.4	19	50.8
TRB282245	28.4	22.2	44.5
TRB282263	28.4	22.2	63
TRB282235	28.4	22.2	35
TRB282244	28.4	22.2	44
TRB282251	28.4	22.2	50.8
TRB322551	32	25.4	50.8
TRB362845	36.5	28.6	44.5

TINE BUSHES

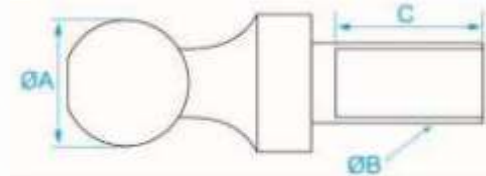
CODE	Outer ØA mm	Outer ØB mm	Outer ØC mm	Outer ØD mm	Outer ØE mm	Outer ØF mm	Weight kg.
TRB191641	38	25.4	31	95	74	4°30'	0.3
TRB221635	40	23	25	105	78	5°	0.45
TRB251941	41	24	32	110	79	5°	0.51
TRB251951	41	24	32	110	79	5°	0.6
TRB282245	41	25.4	30	108	80	5°30'	0.5
TRB282263	45	25	0	110	0	5°	0.765
TRB282235	50	23	29	110	85	6°	1.8
TRB282244	50	25	29	110	85	6°	1.08
TRB282251	50	28	0	105	0	10°	1.05
TRB322551	50	30	36	108	80	5°30'	0.76
TRB362845	50	30	39	110	84	6°	1.63
TRB191641	51	25	32	110	109	5°30'	1.085
TRB221635	51	30	38	110	86	5°	0.755
TRB251941	55	32	0	120	0	4°30'	1.24
TRB251951	57	12.59	40	120	105	5°30'	0
TRB282245	33	0	14	63	46	3°	0.292
TRB282263	33	0	16.5	63	48	1.5°	0.281
TRB282235	33	0	16.5	63	48	1.5°	0.263
TRB282244	33	0	16.5	63	48	1.5°	0.281
TRB282251	33	0	16.5	63	48	1.5°	0.256
TRB322551	45	22	28	97	75	5°	1.27
TRB362845	50	32	39	110	84	5.5°	1.02
TRB362845	60	32	39	110	84	5.5°	1.8





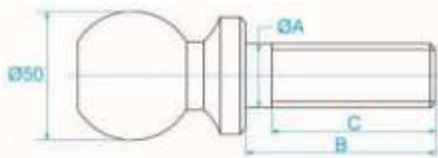
HITCH BALL

CODE	Max. Load	ØA Inch	Thread ØB Inch	Length C Inch
THB54-01	2000	1-7/8	3/4	1-3/4
THB54-02	3500	2	3/4	1-3/4
THB54-03	5000	2	1	2-1/8
THB54-04	7500	2-5/16	1-1/4	2-1/8



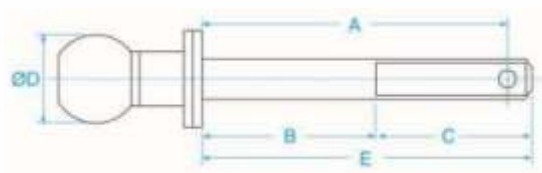
HITCH BALL

CODE	ØA	B	C
THB54-08	19	70	57
THB54-09	22	70	57
THB54-10	25.4	70	57



HITCH BALL

CODE	Dim.A mm	Dim.B mm	Dim.C mm	ØD mm	Dim.E mm	Dim.E mm
THB54-06	162	100	90	50	190	7/8"
THB54-07	162	100	90	50	190	1"



LONG SERIES TOWBALL

Long series threaded towball
Ball head: 50mm
Supplied complete with safety chain pin and locking nuts
Not recommended for heavy vehicles

ITEM NO. DESCRIPTION

TTC22190	HITCH PIN BALL 7/8in x 7in (22 x 178mm)
TTC25190	HITCH PIN BALL 1in x 7in (25 x 178mm)
TTC28190	HITCH PIN BALL LONG
TTC32190	HITCH PIN BALL LONG



Blue Double Duty Hitch 1.5 Ton (1500 Kg)

Dual tow jaw, fixed ball with pin through ball
Variant: 2 bolt
Ball head: 50mm
Complete with 22mm pin
Use grade 8.8 or higher M16 bolts and nuts with lock washer
Tighten to 240Nm
Must only be used with supplied pin in place
Off road use only
Not recommended for towing heavy vehicles

Blue Double Duty Independent Hitch 1.5 Ton (1500 Kg)

Dual tow jaw, fixed ball with loose pin
Variant: 2 bolt
Ball head: 50mm
Complete with 22mm pin
Use grade 8.8 or higher M16 bolts and nuts with lock washer
Tighten to 240Nm
Off road use only
Not recommended for towing heavy vehicles



Stainless Steel Bumper Protector

Rear bumper protector
Suitable to be attached behind towball on vehicle



HITCH PIN WITH ROPE & CLIP

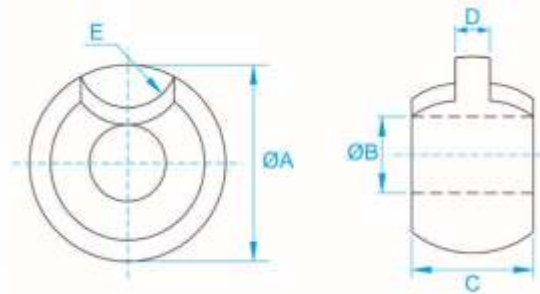
Replacement tow pin for standard dual tow jaw



BALL WITH CUT

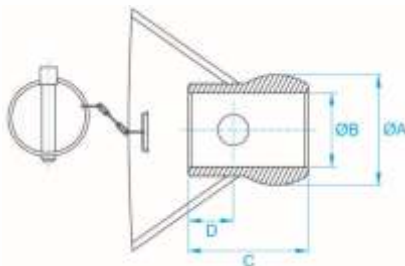


CODE	A	B	C	D	E
TBWC22	56.5	22	35	10	R35
TBWC28	56.5	28.6	44.5	10	R35



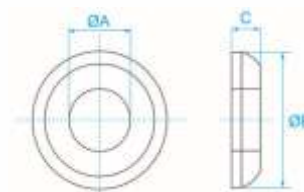
GUIDE CONE BALL

CODE	A	B	C	D
TGCB5628	56	28.4	68	20
TGCB5637	56	37.6	68	20
TGCB6428	64	28.4	72	20
TGCB6432	64	32.5	72	20
TGCB6437	64	37	72	20

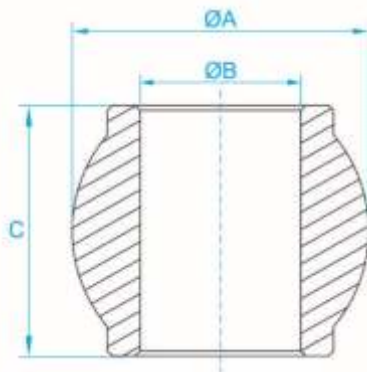


SAPCERS

CODE	A	B	C
Tt2856	28	56	7
TT2864	28	64	7
TT3864	38	64	7



TOP LINK BALLS

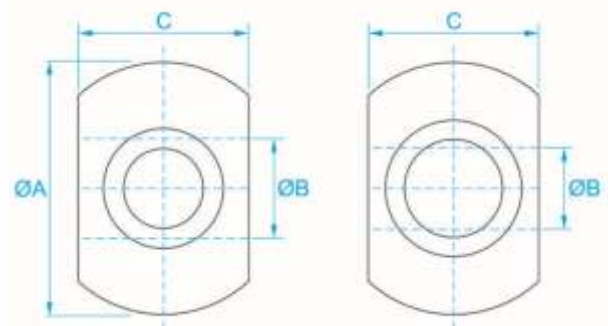


CODE	A	B	C
TTLB321625	32	16	25.4
TTLB381525	38	15.9	25.4
TTLB381941	38	19	41
TTLB381944	38	19	44
TTLB382044	38	20	44
TTLB461944	46	19	44
TTLB462044	46	20	44
TTLB462541	46	25.4	41
TTLB462544	46	25.4	44
TTLB462545	46	25.4	45
TTLB462551	46	25.4	51
TTLB502251	50	22.1	51
TTLB502544	50	25.4	44
TTLB502551	50	28.4	51
TTLB511944	50.8	19	44
TTLB512544	50.8	25.4	44.5
TTLB512844	50.8	28.4	44.5
TTLB542551	54	25.4	51
TTLB543055	54	30	55
TTLB543251	54	32	51
TTLB543555	54	35	55
TTLB602551	60	25.4	51
TTLB603151	60	31.7	51
TTLB602530	60	25.4	50
TTLB603250	60	32.5	50

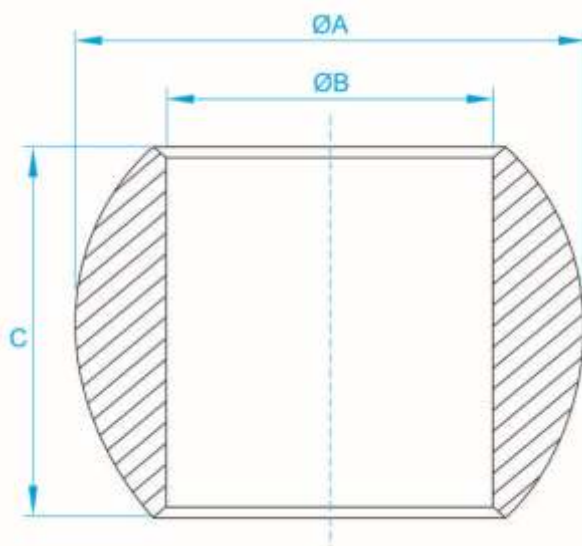
BALL (DOUBLE BORE)



CODE	A	B	C
TBDB2228	56	22.1/28.7	44.5



LOWER LINK BALLS

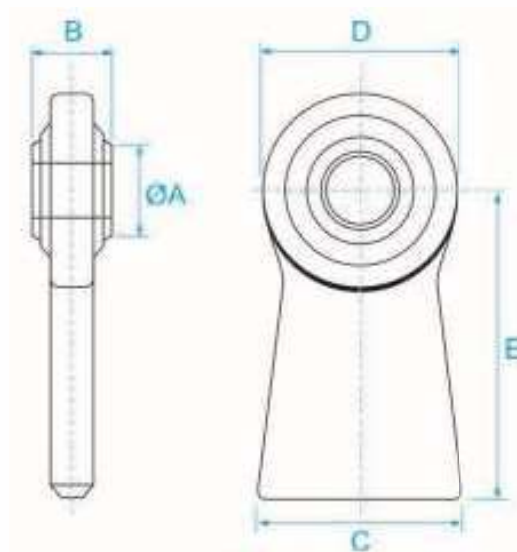


CODE	A	B	C
TLLB441935	44.5	19	35
TLLB442235	44	22.1	35
TLLB452235	44.5	22.1	35
TLLB462833	46	28.4	33.5
TLLB482235	48	22.1	35
TLLB482535	48	25.4	35
TLLB502540	50	25.4	40
TLLB502940	50	29	40
TLLB503825	50.8	38	25
TLLB543555	54	35	55
TLLB562235	56	22.1	35
TLLB562245	56	22.1	45
TLLB562535	56	25.4	35
TLLB562835	56	28.4	35
TLLB562838	56	28.4	38
TLLB562845	56	28.4	45
TLLB562945	56	28.6	45
TLLB572945	56.5	28.6	45
TLLB572845	56.8	28.4	44.8
TLLB572235	57	22.1	35
TLLB572535	57	25.4	35
TLLB572538	57	25.4	38
TLLB572835	57	28.4	35
TLLB572838	57	28.4	38
TLLB572842	57	28.4	42
TLLB572844	57	28.4	44.5
TLLB602551	60	25.4	51
TLLB622845	62.5	28.6	45
TLLB623745	62.5	37	45
TLLB633745	63.5	37	45
TLLB642245	64	22	45
TLLB642845	64	28.4	45
TLLB643845	64	38	45
TLLB643045	64	30.5	45
TLLB643245	64	32.5	45
TLLB643545	64	35.5	45
TLLB643745	64	37.5	45

WELD ON END



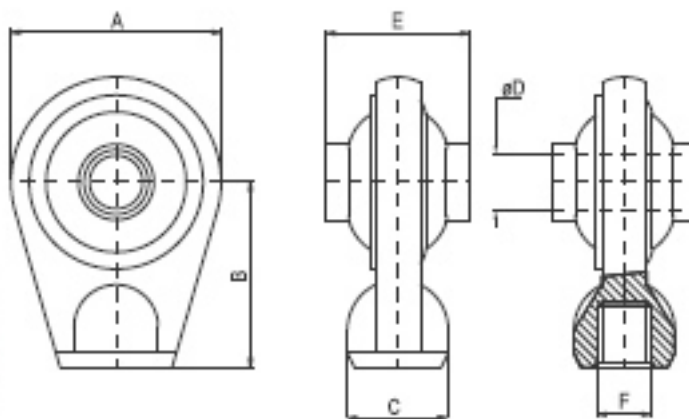
CODE	A	B	C	D	E
TWOEL01	16.2	20	30	46	60
TWOEL02	19.2	44	50	52	50
TWOEL03	20.2	44	50	52	50
TWOEL04	19.2	35	50	65	43
TWOEL05	22.1	35	50	65	43
TWOEL06	22.1	35	70	76	50
TWOEL07	25.4	35	70	76	50
TWOEL08	28.2	35	70	76	50
TWOEL09	22.1	35	70	83	55
TWOEL10	25.4	35	70	83	55
TWOEL11	28.2	35	70	83	55
TWOEL12	28.2	45	70	83	55
TWOEL13	25.4	35	70	80	80
TWOEL14	28.2	35	70	80	80
TWOEL15	28.2	45	70	80	80
TWOEL16	22.1	45	70	80	65
TWOEL17	25.4	45	70	80	65
TWOEL18	28.4	45	70	80	65
TWOEL19	30.2	45	70	80	65
TWOEL20	28.2	45	70	96	65
TWOEL21	34.4	45	70	96	65
TWOEL22	35.2	45	70	96	65
TWOEL23	37.4	45	70	96	65
TWOEL24	19.2	35	56	67	50
TWOEL25	22.1	35	56	67	50
TWOEL26	25.4	35	56	67	50
TWOEL27	22.1	35	58	67	75
TWOEL28	25.1	45	70	80	80
TWOEL29	28.2	45	90	106	90
TWOEL30	30.2	45	90	106	90
TWOEL31	34.4	45	90	106	90
TWOEL32	35.2	45	90	106	90
TWOEL33	37.4	45	90	106	90
TWOEL34	38.4	45	90	106	90
TWOEL35	28.4	45	70	80	110



WELD ON END

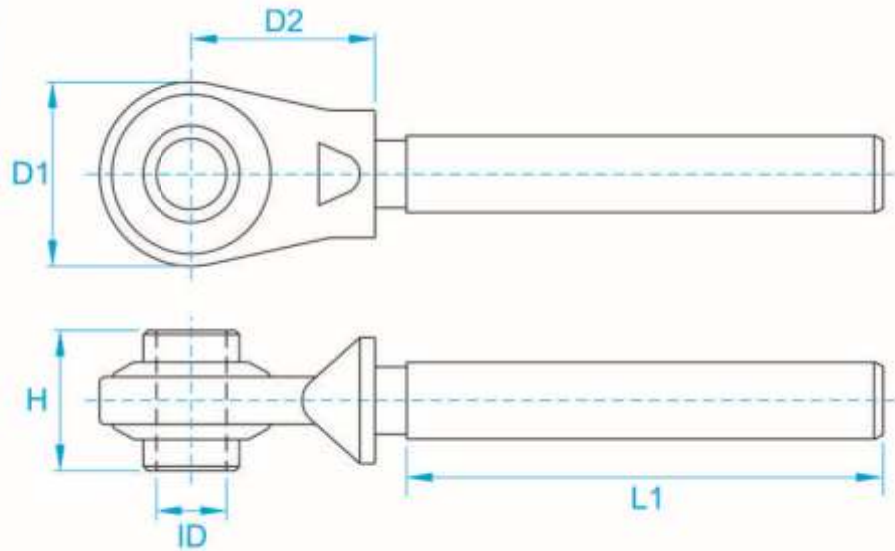


CODE	A	B	C	D	E
TWOET01	19.2	44	25	53	48
TWOET02	20.2	44	25	53	48
TWOET03	19.2	44	25	53	48
TWOET04	19.2	44	26	55	65
TWOET05	19.2	44	30	62	34
TWOET06	20.2	44	30	62	34
TWOET07	22.1	44	30	62	34
TWOET08	19.2	44	34	62	60
TWOET09	22.1	44	34	62	60
TWOET10	20.2	44	34	62	60
TWOET11	19.2	44	30	62	50
TWOET12	20.2	44	30	62	50
TWOET13	22.1	44	34	62	58
TWOET14	19.2	44	34	62	58
TWOET15	19.2	35	26	62	55
TWOET16	22.1	35	26	62	55
TWOET17	19.2	51	38	75	65
TWOET18	25.2	51	38	75	65
TWOET19	30.2	51	38	75	65
TWOET20	19.2	51	45	72	70
TWOET21	22.1	51	45	72	70
TWOET22	25.4	51	45	72	70
TWOET23	30.2	51	45	72	70
TWOET24	25.4	51	38	90	85
TWOET25	30.2	51	38	90	85
TWOET26	19.2	51	50	85	50
TWOET27	25.4	51	50	85	70
TWOET28	25.4	51	50	83	70
TWOET29	30.2	42	50	83	65
TWOET30	30.2	55	50	83	65
TWOET31	35.2	35	50	83	65
TWOET32	35.2	55	50	83	65
TWOET33	30.2	55	50	92	65
TWOET34	30.2	44	50	92	65
TWOET35	35.2	35	50	92	65



TOP LINK END(MM)

CODE	CAT	I D	THREAD	L1	D1	D2	H
TTLE27R10	2	25.4	M27 x 3R	190	56	66	51
TTLE27L10	2	25.4	M27 x 3L	190	56	66	51
TTLE27R11	2	25.4	M27 x 3R	190	56	66	42
TTLE27L11	2	25.4	M27 x 3L	190	56	66	42
TTLE30R12	2	25.4	M30 x 3.5R	75	56	75	51
TTLE30L12	2	25.4	M30 x 3.5L	75	56	75	51

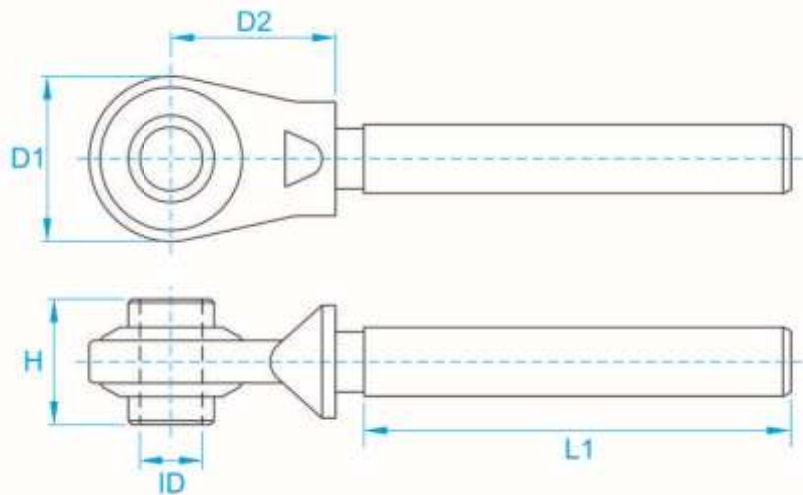


TOP LINK END(MM)

CODE	CAT	I D	THREAD	L1	D1	D2	H
TTLE30L14	1	19	M30 x 3.5L	120	60	62	44
TTLE30R14	1	19	M30 x 3.5R	120	60	62	44
TTLE30L15	2	25.4	M30 x 3.5L	120	56	75	51
TTLE30R15	2	25.4	M30 x 3.5R	120	56	75	51
TTLE30L16	1	19	M30 x 3.5L	170	60	62	44
TTLE30R16	1	19	M30 x 3.5R	170	60	62	44
TTLE30L17	2	25.4	M30 x 3.5L	180	56	75	51
TTLE30R17	2	25.4	M30 x 3.5R	180	56	75	51
TTLE30L18	1	19	M30 x 3L	170	60	62	44
TTLE30R18	1	19	M30 x 3R	170	60	62	44
TTLE30L19	2	25.4	M30 x 3L	180	56	75	51
TTLE30R19	2	25.4	M30 x 3R	180	56	75	51

TOP LINK END(UNC)

CODE	CAT	I D	THREAD	L1	D1	D2	H
TTLER00	0	16	3/4 UNCR	105	47	30	25.4
TTLEL00	0	16	3/4 UNCL	105	47	30	25.4
TTLER11	1	19	1.1/8 UNCR	155	58	53	44
TTLEL11	1	19	1.1/8 UNCL	155	58	53	44
TTLER20	2	25.4	1.1/8 UNCR	190	66	58	51
TTLEL20	2	25.4	1.1/8 UNCL	190	66	58	51
TTLER22	2	25.4	1.1/8 UNCR	180	76	66	51
TTLEL22	2	25.4	1.1/8 UNCL	180	76	66	51



TOP LINK END(UNC)

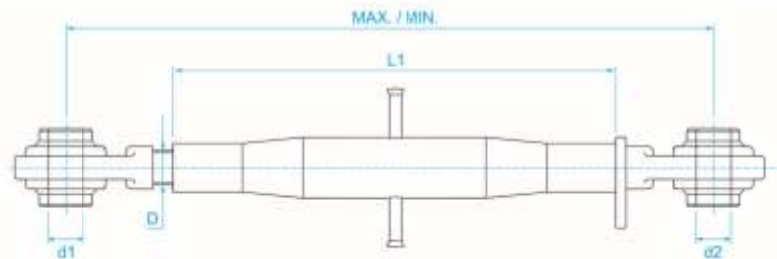
CODE	CAT	I D	THREAD	L1	D1	D2	H
TTLE22R01	1	19	M22 x 2.5R	95	50	58	44
TTLE22L01	1	19	M22 x 2.5L	95	50	58	44
TTLE22R02	1	19	M22 x 2.5R	120	50	58	44
TTLE22L02	1	19	M22 x 2.5L	120	50	58	44
TTLE24R03	1	19	M24 x 3R	60	50	58	44
TTLE24L03	1	19	M24 x 3L	60	50	58	44
TTLE24R04	1	19	M24 x 3R	85	50	58	44
TTLE24L04	1	19	M24 x 3L	85	50	58	44
TTLE24R05	1	19	M24 x 3R	120	50	58	44
TTLE24L05	1	19	M24 x 3L	120	50	58	44
TTLE24R06	1	19	M24 x 2.5R	120	50	58	44
TTLE24L06	1	19	M24 x 2.5L	120	50	58	44
TTLE27R07	1	19	M27 x 3R	120	50	58	44
TTLE27L07	1	19	M27 x 3L	120	50	58	44
TTLE27R08	1	19	M27 x 3R	155	50	58	44
TTLE27L08	1	19	M27 x 3L	155	50	58	44
TTLE27R09	2	25.4	M27 x 3R	135	56	66	51
TTLE27L09	2	25.4	M27 x 3L	135	56	66	51

TOP LINK ASSEMBLY

THREAD M 30 x 3 (HEAVY DUTY PIPE)



CODE	CODE D1-D2	PIPE L1	THREAD D	MIN.	MAX.
TTL3022330H	2-2	330	M30 x 3	460	700
TTL3022370H	2-2	370	M30 x 3	500	740
TTL3022400H	2-2	400	M30 x 3	530	770
TTL3022450H	2-2	450	M30 x 3	580	820
TTL3022500H	2-2	500	M30 x 3	630	870
TTL3022600H	2-2	600	M30 x 3	730	970



TOP LINK ASSEMBLY

THREAD M 30 x 3



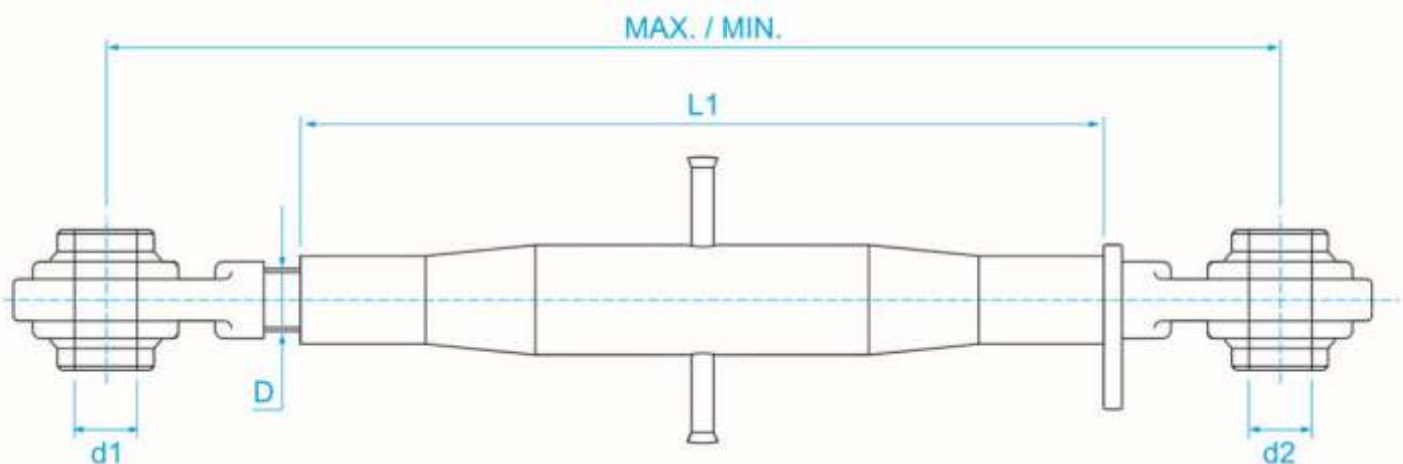
CODE	CODE D1-D2	PIPE L1	THREAD D	MIN.	MAX.
TTL3011370	1-1	370	M30 x 3	500	720
TTL3012370	1-2	370	M30 x 3	500	730
TTL3022370	2-2	370	M30 x 3	500	740
TTL3011400	1-1	400	M30 x 3	530	750
TTL3012400	1-2	400	M30 x 3	530	760
TTL3022400	2-2	400	M30 x 3	530	770
TTL3011450	1-1	450	M30 x 3	580	800
TTL3012450	1-2	450	M30 x 3	580	810
TTL3022450	2-2	450	M30 x 3	580	820
TTL3022460	2-2	460	M30 x 3	590	830
TTL3011500	1-1	500	M30 x 3	630	850
TTL3012500	1-2	500	M30 x 3	630	860
TTL3022500	2-2	500	M30 x 3	630	880
TTL3022520	2-2	520	M30 x 3	650	900
TTL3022550	2-2	550	M30 x 3	650	930
TTL3022560	2-2	560	M30 x 3	690	940
TTL3022600	2-2	600	M30 x 3	730	980
TTL3022650	2-2	650	M30 x 3	780	1030
TTL3022700	2-2	700	M30 x 3	830	1080
TTL3022720	2-2	720	M30 x 3	880	1100

TOP LINK ASSEMBLY

THREAD M 27 x 3



CODE	CODE D1-D2	PIPE L1	THREAD D	MIN.	MAX.
TTL2711275	1-1	275	M27 x 3	395	625
TTL2722275	2-2	275	M27 x 3	395	645
TTL2711320	1-1	320	M27 x 3	440	670
TTL2712320	1-2	320	M27 x 3	440	680
TTL2722320	2-2	320	M27 x 3	440	690
TTL2711350	1-1	350	M27 x 3	470	700
TTL2712350	1-2	350	M27 x 3	470	710
TTL2722350	2-2	350	M27 x 3	470	720
TTL2711370	1-1	370	M27 x 3	490	720
TTL2712370	1-2	370	M27 x 3	490	730
TTL2722370	2-2	370	M27 x 3	490	740
TTL2711380	1-1	380	M27 x 3	500	730
TTL2712380	1-2	380	M27 x 3	500	740
TTL2722380	2-2	380	M27 x 3	500	750
TTL2711400	1-1	400	M27 x 3	520	750
TTL2712400	1-2	400	M27 x 3	520	760
TTL2722400	2-2	400	M27 x 3	520	770
TTL2711430	1-1	430	M27 x 3	550	780
TTL2712430	1-2	430	M27 x 3	550	790
TTL2722430	2-2	430	M27 x 3	550	800
TTL2711450	1-1	450	M27 x 3	570	800
TTL2712450	1-2	450	M27 x 3	570	810
TTL2722450	2-2	450	M27 x 3	570	820
TTL2711470	1-1	470	M27 x 3	590	820
TTL2712470	1-2	470	M27 x 3	590	830
TTL2722470	2-2	470	M27 x 3	590	840
TTL2711500	1-1	500	M27 x 3	620	850
TTL2712500	1-2	500	M27 x 3	620	860
TTL2722500	2-2	500	M27 x 3	620	870
TTL2722550	2-2	550	M27 x 3	670	920
TTL2722570	2-2	570	M27 x 3	690	940

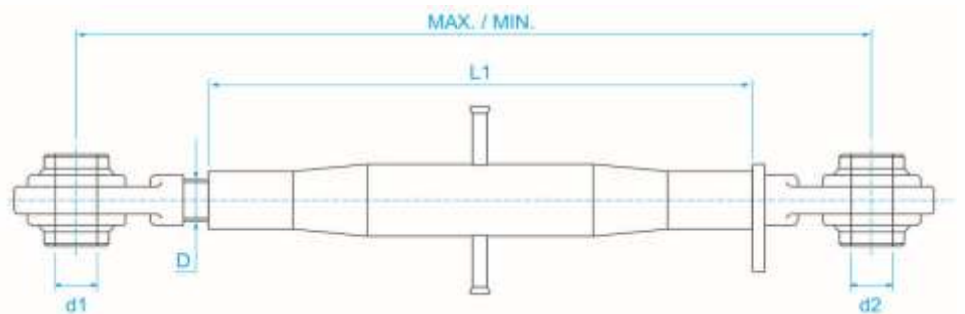


TOP LINK ASSEMBLY
THREAD M 22 x 2.5

CODE	CODE D1-D2	PIPE L1	THREAD D	MIN.	MAX.
TTL2211180	1-1	180	M22 x 2.5	290	440
TTL2211220	1-1	220	M22 x 2.5	330	480
TTL2211230	1-1	230	M22 x 2.5	340	490
TTL2211300	1-1	300	M22 x 2.5	410	560
TTL2211280	1-1	280	M22 x 2.5	390	540

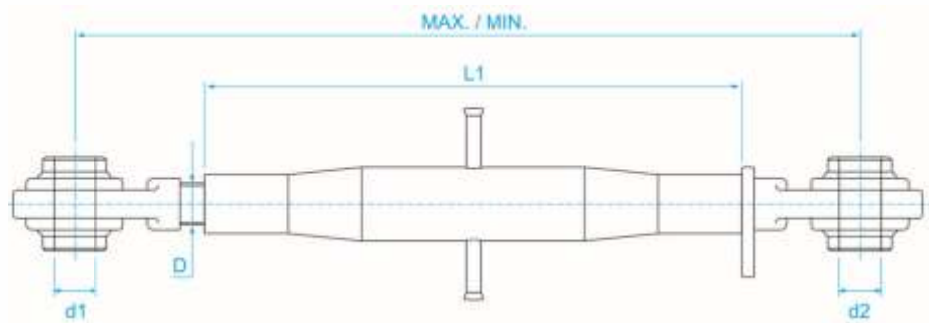
TOP LINK ASSEMBLY
THREAD M 24 x 3

CODE	CODE D1-D2	PIPE L1	THREAD D	MIN.	MAX.
TTL2411120	1-1	120	M24 x 3	230	410
TTL2411140	1-1	140	M24 x 3	250	430
TTL2411150	1-1	150	M24 x 3	260	440
TTL2411165	1-1	165	M24 x 3	275	445
TTL2411180	1-1	180	M24 x 3	290	470
TTL2411200	1-1	200	M24 x 3	310	490
TTL2411230	1-1	230	M24 x 3	340	520
TTL2411250	1-1	250	M24 x 3	360	540
TTL2411270	1-1	270	M24 x 3	380	560
TTL2411300	1-1	300	M24 x 3	410	590
TTL2411330	1-1	330	M24 x 3	440	620
TTL2411370	1-1	370	M24 x 3	470	650
TTL2411400	1-1	400	M24 x 3	500	680
TTL2422350	2-2	350	M24 x 3	440	620
TTL2422400	2-2	400	M24 x 3	500	680



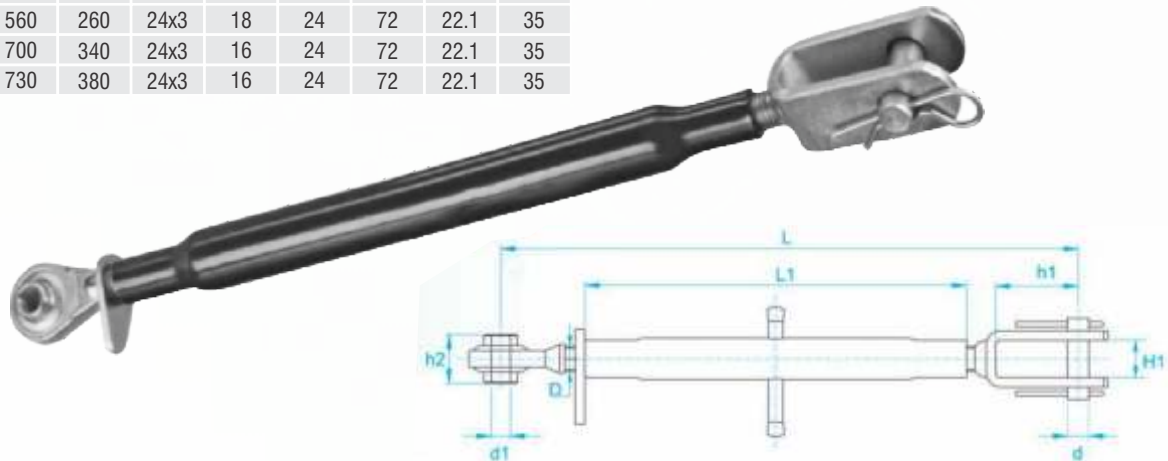
CODE	CODE D1-D2	PIPE L1	THREAD D	MIN.	MAX.
TTL1900190	0-0	7.1/2"	3/4 UNC	11"	16.3/8"
TTL1900248	0-0	9.3/4"	3/4 UNC	13.3/8"	18.5/8"
TTL2811178	1-1	7"	1.1/8 UNC	11.5/8"	14.3/4"
TTL2812178	1-2	7"	1.1/8 UNC	11.3/4"	15"
TTL2822178	2-2	7"	1.1/8 UNC	12"	15.1/8"
TTL2811228	1-1	9"	1.1/8 UNC	13.5/8"	18.3/4"
TTL2812228	1-2	9"	1.1/8 UNC	13.3/4"	19"
TTL2822228	2-2	9"	1.1/8 UNC	14"	19.1/4"
TTL2811260	1-1	11.1/4"	1.1/8 UNC	16"	24"
TTL2812260	1-2	11.1/4"	1.1/8 UNC	16.3/8"	24.1/4"
TTL2822260	2-2	11.1/4"	1.1/8 UNC	16.1/2"	24.3/8"
TTL2811330	1-1	13"	1.1/8 UNC	17.1/2"	26.3/4"
TTL2812330	1-2	13"	1.1/8 UNC	17.3/4"	27"
TTL2822330	2-2	13"	1.1/8 UNC	18.1/8"	27.1/8"
TTL2811368	1-1	14.1/2"	1.1/8 UNC	19"	27"
TTL2812368	1-2	14.1/2"	1.1/8 UNC	19.1/2"	27.1/8"
TTL2822368	2-2	14.1/2"	1.1/8 UNC	20"	31.1/2"
TTL2811406	1-1	16"	1.1/8 UNC	20.1/2"	28"
TTL2812406	1-2	16"	1.1/8 UNC	20.3/4"	28.3/8"
TTL2822406	2-2	16"	1.1/8 UNC	21"	32.1/2"
TTL2811438	1-1	17.1/4"	1.1/8 UNC	21.5/8"	29.3/8"
TTL2812438	1-2	17.1/4"	1.1/8 UNC	22"	29.1/2"
TTL2822438	2-2	17.1/4"	1.1/8 UNC	22.1/4"	33.7/8"
TTL2811508	1-1	20"	1.1/8 UNC	24.3/8"	32"
TTL2812508	1-2	20"	1.1/8 UNC	24.3/4"	32.1/4"
TTL2822508	2-2	20"	1.1/8 UNC	25"	36.3/8"
TTL2811610	1-1	24"	1.1/8 UNC	28.1/2"	36"
TTL2812610	1-2	24"	1.1/8 UNC	28.3/4"	36.1/4"
TTL2822610	2-2	24"	1.1/8 UNC	28.7/8"	40.1/2"
TTL3222380	2-2	15"	1.1/8 UNC	20"	30.7/8"
TTL3222482	2-2	19"	1.1/8 UNC	24"	35.1/4"

TOP LINK ASSEMBLY



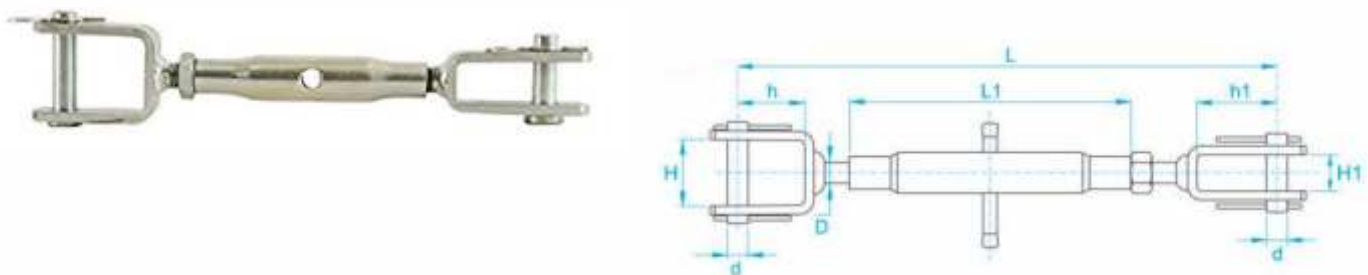
ADJUSTABLE LEVELLING ARM

CODE	L		L1	D	d	H1	h1	d1	h2
	MIN	MAX							
TALA19230	380	530	230	24x3	18	24	72	19.2	44
TALA22230	380	530	230	24x3	18	24	72	22.1	35
TALA19260	410	560	260	24x3	18	24	72	19.2	44
TALA22260	410	560	260	24x3	18	24	72	22.1	35
TALA22340	490	700	340	24x3	16	24	72	22.1	35
TALA22380	520	730	380	24x3	16	24	72	22.1	35



ADJUSTABLE LEVELLING ARM

CODE	L		L1	D	d	H	h	H1	h1
	MIN	MAX							
TALA18200	380	530	200	22x2.5	18	30	60	24	72
TALA18260	450	600	260	24x3	18	40	70	24	72
TALA18290	500	650	290	27x3	18	40	70	24	72



LEVELLING ASSEMBLY





Quality & Reliability



TEJAS TECH CORPORATION

Gill Road, Ludhiana - 141003, Punjab, INDIA.

E-mail : info@ttctrailer.com

Website:- www.ttctrailer.com